

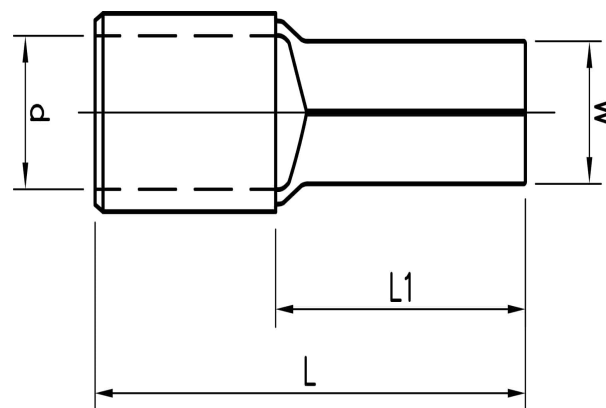
DIN 46230 pin terminals 10 - 95 mm<sup>2</sup>

# B95SR

- Material: Cu 99.95%, tin plated Cu/Sn.



Uninsulated pin terminal for multi-stranded (class 5) and stranded (class 2) Cu conductors (acc. to IEC 60228), 95 mm<sup>2</sup>. Used with Elpress certified systems V600, V1300, V250.



Item number: **7258-150700**  
EAN: **7393487015227**

W (mm): **12.5**  
d (mm): **13.5**  
L1 (mm): **31**  
L (mm): **55**  
t (mm) - palm thickness: **2.5**

Material: **Cu, Cu/Sn**

AWG/MCM Cu: **3/0 AWG**  
mm<sup>2</sup> Cu: **95**