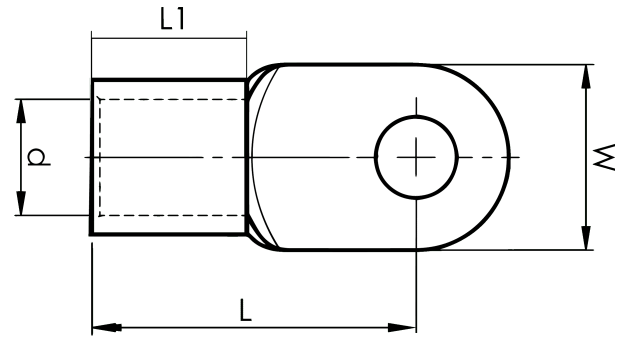


DIN 46234 sheet metal terminals 10 - 185 mm²

B16-10R



Item number: **7258-266300**

EAN: **7393487018532**

W (mm): **18**

d (mm): **5.8**

L1 (mm): **10**

L (mm): **24**

t (mm) - palm thickness: **1.2**

Screw: **M10**

Marking: **16**

AWG/MCM Cu: **6 AWG**

mm² Cu: **16**