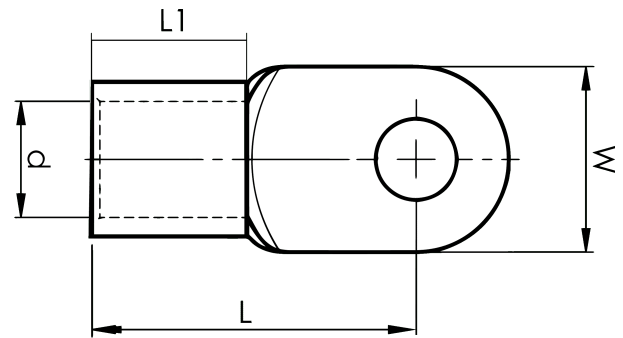


DIN 46234 sheet metal terminals 10 - 185 mm²

B25-10R

- dimensions according to DIN 46234
- material: 99.9% Cu, tin plated (Cu/Sn)



Sheet metal terminal for 25 mm² copper conductors with an M10 hole in the palm. Used with Elpress certified systems V600, V1300 or V250.



Item number: **7258-266800**

EAN: **7393487018587**

W (mm): **18**

d (mm): **7.5**

L1 (mm): **11**

L (mm): **26**

t (mm) - palm thickness: **1.5**

Screw: **M10**

Marking: **25**

AWG/MCM Cu: **4 AWG**

mm² Cu: **25**