

KRF angled terminals 90°, 10 - 185 mm<sup>2</sup>

# KR10-8-90GR

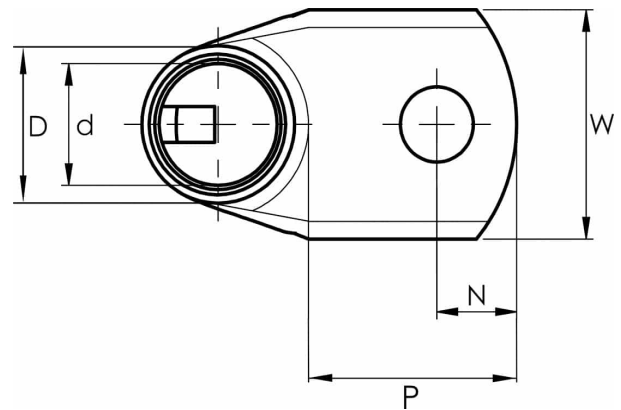
- Material: Cu 99.95%, tin plated Cu/Sn.
- Inspection hole.
- For stranded (class 2) and multi-stranded (class 5) Cu conductors, for multi-stranded Cu conductors contact crimping using the Dual system is recommended.



## Example of marking KRF: 17 (neck) Elpress logo 70 10F (palm)

17 = Die No. 70 = mm<sup>2</sup> 10 = palm hole for M10 F = type KRF for stranded and flexible conductors.

Angled tube terminal 90° for multi-stranded (class 5) and stranded (class 2) Cu conductors (acc. to IEC 60228), 10 mm<sup>2</sup>, with an M8 hole in the palm. Used with Elpress certified systems V600, V1300, V250.



Item number: **7301-114300**  
EAN: **7393487016316**

A (mm): **15**  
W (mm): **13.5**  
N (mm): **8.5**  
N1 (mm): **12**  
d (mm): **5**  
D (mm): **8**  
t (mm) - palm thickness: **2.2**  
s (mm) - strip length: **11**

Screw: **M8**  
Angle (°): **90**  
Inspection hole: **Yes**

AWG/MCM Cu: **8 AWG**  
mm<sup>2</sup> Cu: **10**