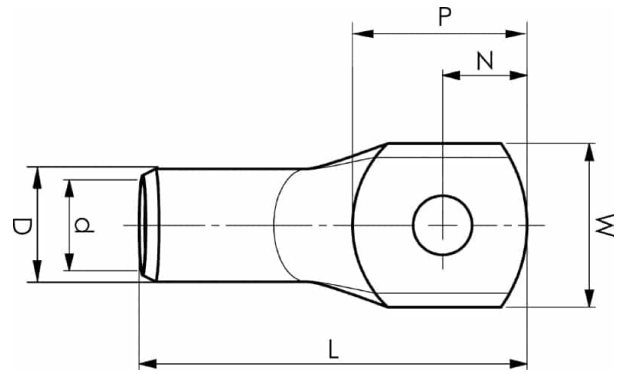


KRF tube terminals 16 - 800 mm²

KRF120-14



Item number: **7301-492300**

EAN: **7393487090057**

W (mm): **32**

N (mm): **15**

N1 (mm): **16**

P (mm): **31**

f (mm): **1**

d (mm): **17**

D (mm): **22**

L (mm): **73**

t (mm) - palm thickness: **4.9**

s (mm) - strip length: **27**

Screw: **M14**

Inspection hole: **Yes**

AWG/MCM Cu: **4/0 AWG**

mm² Cu: **120**