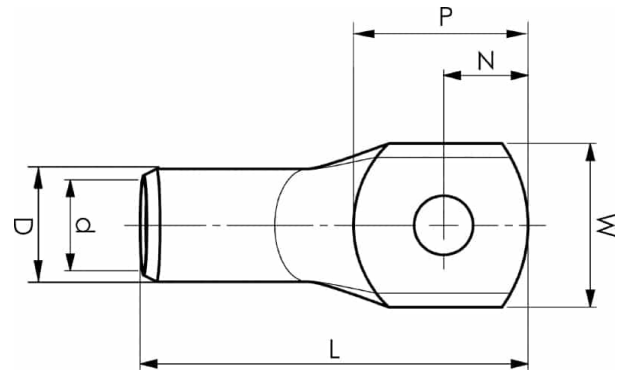


# KRF25-6

- Material: Cu 99.95%, tin plated Cu/Sn.
- With inspection holes.
- For stranded (class 2) and multi-stranded (class 5) Cu conductors, for multi-stranded Cu conductors contact crimping using the Dual system is recommended.
- UL-approved, DNV approved.



## Example of marking KRF: 17 (neck) Elpress logotype 70 10F (palm)

17 = Die No. 70 = mm<sup>2</sup> 10 = palm hole for M10 F = type KRF for stranded and flexible conductors. Multi-stranded (class 5) and stranded (class 2) Cu conductors (acc. to IEC 60228), 16 mm<sup>2</sup>, with an M6 hole in the palm. Used with Elpress certified systems V600, V1300 or V250.



Item number: **7301-012600**

EAN: **7393487005969**

W (mm): **16**

N (mm): **8**

N1 (mm): **10**

P (mm): **18**

f (mm): **1**

d (mm): **8**

D (mm): **11**

L (mm): **39**

t (mm) - palm thickness: **2.9**

s (mm) - strip length: **13**

Screw: **M6**

Inspection hole: **Yes**

AWG/MCM Cu: **4 AWG**

mm<sup>2</sup> Cu: **25**