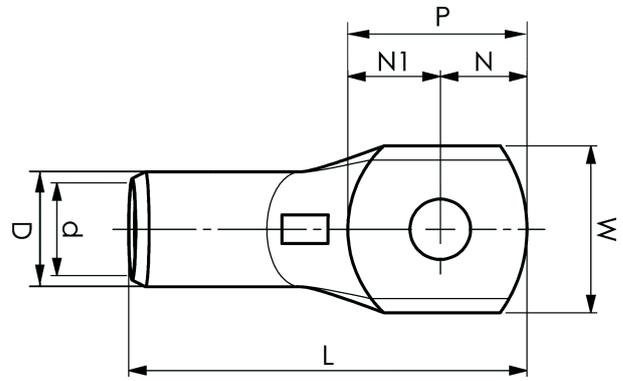


KRF400A-00

- Material: Cu 99.95%, tin plated Cu/Sn.
- With inspection holes.
- For stranded (class 2) and multi-stranded (class 5) Cu conductors, for multi-stranded Cu conductors contact crimping using the Dual system is recommended.
- UL-approved, DNV approved.



Example of marking KRF: 17 (neck) Elpress logotype 70 10F (palm)

17 = Die No. 70 = mm² 10 = palm hole for M10 F = type KRF for stranded and flexible conductors. Tube terminal for multi stranded (class 5) and stranded (class 2) Cu-conductors (acc. to IEC 60228), 400 mm², without a hole in the palm. Used with Elpress certified systems V1300 or V250.



Item number: **7301-144000**

EAN: **7393487033153**

W (mm): **56**

P (mm): **55**

f (mm): **2**

d (mm): **30**

D (mm): **38**

L (mm): **125**

t (mm) - palm thickness: **7.8**

s (mm) - strip length: **52**

Inspection hole: **Yes**

AWG/MCM Cu: **700 MCM**

mm² Cu: **400**