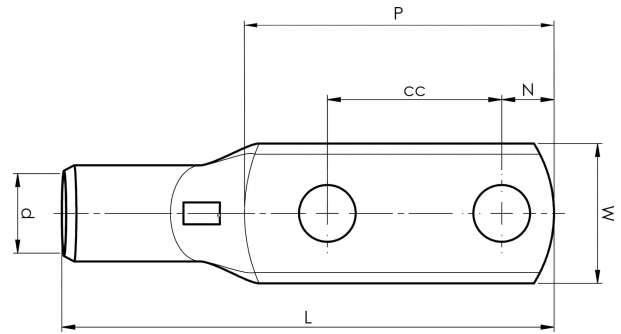


KRF tube terminals with two holes

# KRF16-10X2- 40



- Material: Cu 99.95%, tin plated Cu/Sn.
- Inspection hole
- For stranded (class 2) and multi-stranded (class 5) Cu conductors, for multi-stranded Cu conductors contact crimping using the Dual system is recommended.
- UL-approved.

## Example of marking KRF: 17 (neck) Elpress logotype 70 10F (palm)

17 = Die No. 70 = mm<sup>2</sup> 10 = palm hole for M10 F = type KRF for stranded and flexible conductors.  
2 holed tube terminal for multi-stranded (class 5) and stranded (class 2) Cu-conductors (acc. to IEC 60228), 16 mm<sup>2</sup>, with two M10 holes in the palm.  
Used with Elpress certified systems V600, V1300 or V250.



Item number: **7301-518700**

EAN: **7393487089457**

W (mm): **16**

N (mm): **11**

N1 (mm): **11**

P (mm): **62**

cc (mm): **40**

f (mm): **1.1**

d (mm): **6**

D (mm): **9**

L (mm): **81**

t (mm) - palm thickness: **2.2**

s (mm) - strip length: **11**

Screw: **M10x2**

Inspection hole: **Yes**

AWG/MCM Cu: **6 AWG**

mm<sup>2</sup> Cu: **16**

**ELPRESS**