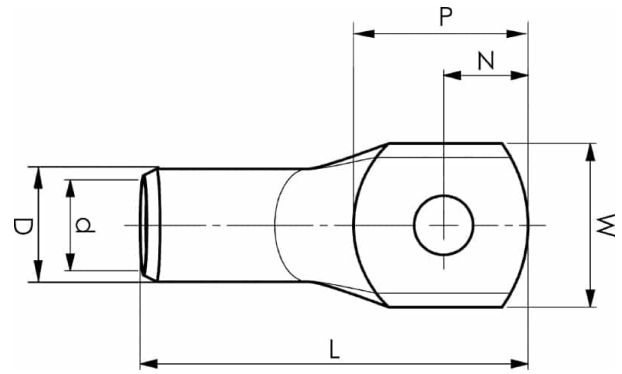


KRT tube terminals 10 - 500 mm<sup>2</sup>

# KRT16-12

- Material: Cu 99.95%, tin plated Cu/Sn.
- Inspection hole.
- For stranded (class 2) Cu conductors.



## Example of marking KRT: 16 (neck) Elpress logotype 70 10 (palm)

16 = Die No. 70 = mm<sup>2</sup> 10 = palm hole for M10

Tube terminal type KRT for stranded (class 2) Cu conductors, 16 mm<sup>2</sup>, with an M12 hole in the palm.

Used with Elpress certified systems V600, V1300 or V250.



Item number: **7301-276000**

EAN: **7393487007451**

W (mm): **19**

N (mm): **10**

N1 (mm): **15**

P (mm): **25**

d (mm): **5.5**

D (mm): **8,5**

L (mm): **47**

t (mm) - palm thickness: **1.9**

s (mm) - strip length: **15**

Screw: **M12**

Inspection hole: **Yes**

AWG/MCM Cu: **6 AWG**

mm<sup>2</sup> Cu: **16**

**ELPRESS**