

Tube terminals 0.75 - 10 mm²

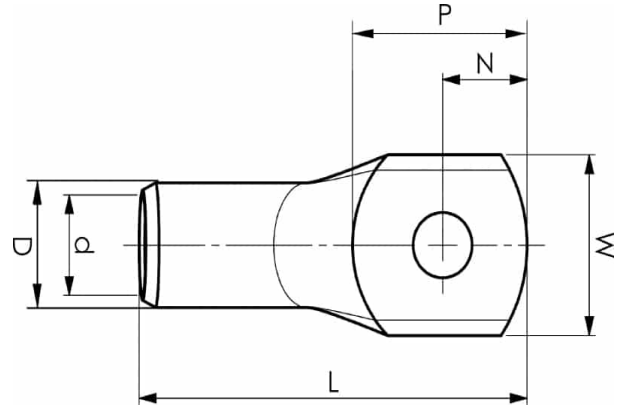
KR2,5-5

- Material: Cu 99.95%, tin plated Cu/Sn.
- For multi-stranded (class 5) and stranded (class 2) Cu conductors.
- UL approved.
- Without inspection hole.

Examples of palm marking KR: 10-10

10 = mm² 10 = Palm hole for M10

Tube terminal for multi-stranded (class 5) and stranded (class 2) Cu-conductors (acc. to IEC 60228), 2.5 mm², with an M5 hole in the palm. Used with certified tool DKB0325, DKB0760.



Item number: **7301-010800**

EAN: **7393487005792**

W (mm): **8.5**

N (mm): **4.8**

N1 (mm): **4.8**

P (mm): **9.6**

d (mm): **2.3**

D (mm): **4.2**

L (mm): **19**

t (mm) - palm thickness: **1.1**

s (mm) - strip length: **7**

Screw: **M5**

AWG/MCM Cu: **14 AWG**

mm² Cu: **2,5**