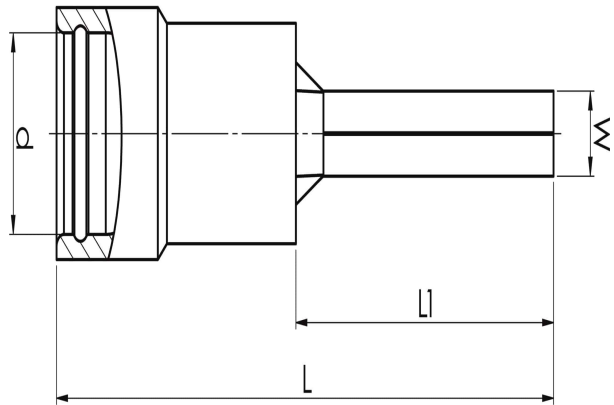
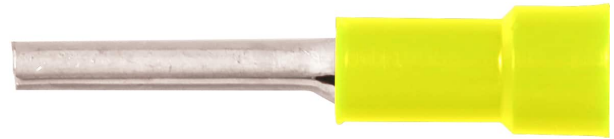


Pin terminals 0.1 - 6 mm<sup>2</sup>

# A0514SR

- Material: Cu 99.95%, tin plated Cu/Sn, brazed neck.
- Insulation halogen-free PA, not Easy-entry.

Pre-insulated pin terminal for 0.1-0.5 mm<sup>2</sup> cable.  
Used with certified tool DSA0115.



Item number: **7278-051400**  
EAN: **7393487014572**

W (mm): **1.2**  
d (mm): **2.2**  
L1 (mm): **8**  
L (mm): **18**  
s (mm) - strip length: **6**

Insulation material: **PA**  
Insulation colour: **Light yellow (insulated terminals)**  
Material: **Cu, Cu/Sn**

AWG/MCM Cu: **26 - 20 AWG**  
mm<sup>2</sup> Cu: **0,1-0,5**