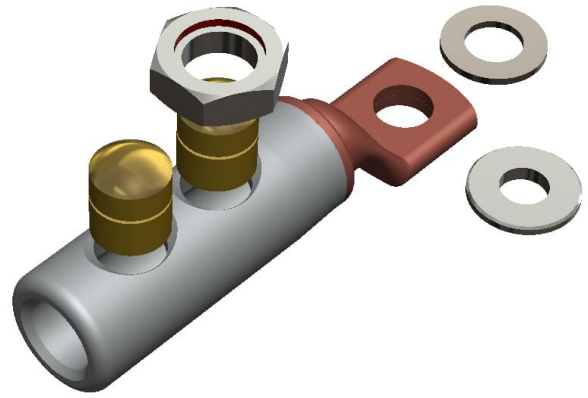


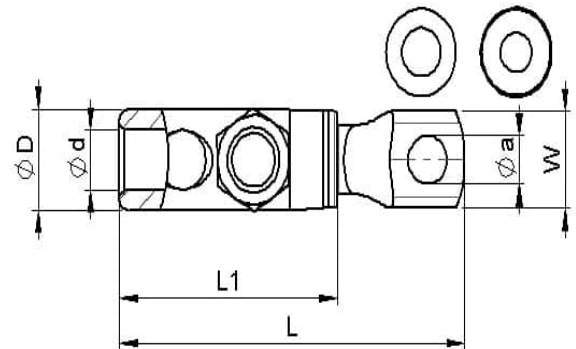
Shearbolt terminals 10 - 630 mm² (reversible screw)

SL150R95S- 10-12



- shearbolt material: brass for minimum friction
- reversible shear-off shearbolts
- voltage range 1-36 kV
- meets the requirements of IEC standard 61238-1:2003
- the terminals are of the bimetallic type for best functionality

Shearbolt terminal 1-36 kV that is suitable for both Al and Cu class 1 and class 2 cable. Round cable 95-150 mm², sector shaped cable 95 mm². Suitable for both M10 and M12, reduction washer and flat washer are included when ordering.



Item number: **7334-012100**

EAN: **7393487033801**

a (mm): **12**

W (mm): **26**

N (mm): **12.5**

d (mm): **16**

D (mm): **27**

L1 (mm): **75.5**

L (mm): **116**

t (mm) - palm thickness: **6.2**

s (mm) - strip length: **69**

Screw: **M10, M12**

Max voltage (kV): **1-36**

Screen conductor (mm²): **70-95**

Cable type Round (mm²): **95-150**

Cable type Sector (mm²): **95**

