

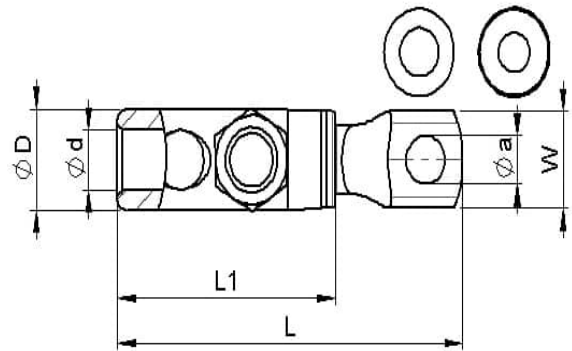
Shearbolt terminals 10 - 630 mm² (reversible screw)

SL70R70S- 10-12

- shearbolt material: brass for minimum friction
- reversible shear-off shearbolts
- voltage range 1-36 kV
- meets the requirements of IEC standard 61238-1:2003
- the terminals are of the bimetallic type for best functionality



Shearbolt terminal 1-36 kV that is suitable for both Al and Cu class 1 and class 2 cable. Round cable 10-70 mm², sector shaped cable 25-70 mm². Suitable for both M10 and M12, reduction washer and flat washer are included when ordering.



Item number: **7334-012000**

EAN: **7393487033795**

a (mm): **12**

W (mm): **25.5**

N (mm): **12.5**

d (mm): **11**

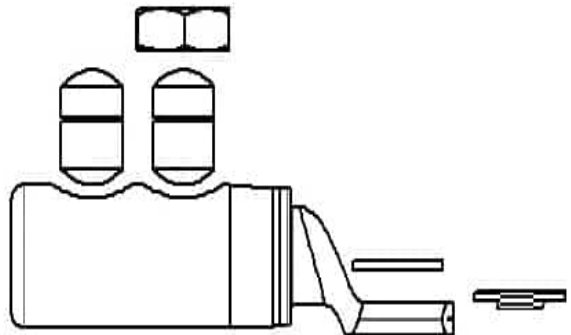
D (mm): **21**

L1 (mm): **59**

L (mm): **97**

t (mm) - palm thickness: **5.5**

s (mm) - strip length: **55**



Screw: **M10, M12**

Max voltage (kV): **1-36**

Screen conductor (mm²): **10-57**

Cable type Round (mm²): **10-70**

Cable type Sector (mm²): **25-70**