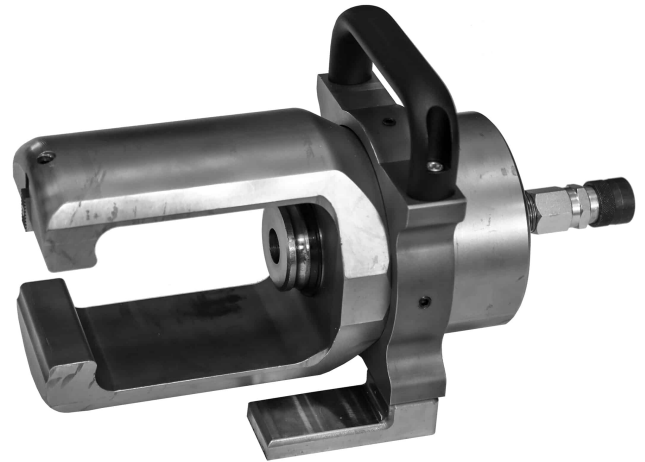


350-system (35 t)

DV350

Powerful 35 tons crimp head with Elpress DUAL-system

- Crimps aluminium and copper up to 1000 mm²
- DUAL crimp dies for crimping of copper 240-400 mm²
- Crimp die for crimping of copper 400-1000 mm²
- Matrix and punch for crimping of aluminium 300-1000 mm²
- Delivered fixed on a solid foot with a handle
- The head is used together with the electrically driven pump PS710 (the battery powered version, PS710E, is also available)



: 5208-350000
: 7393487087101

: Plywoodbox
: Punch, Dual, Hexagonal, Oval
: 630
: 1

: 5502000
: 6550
: 7002000
: 300-1000
: 16-300
: 400-1000
: 400
: 1000
: 95
: 300
: 300
: 1000