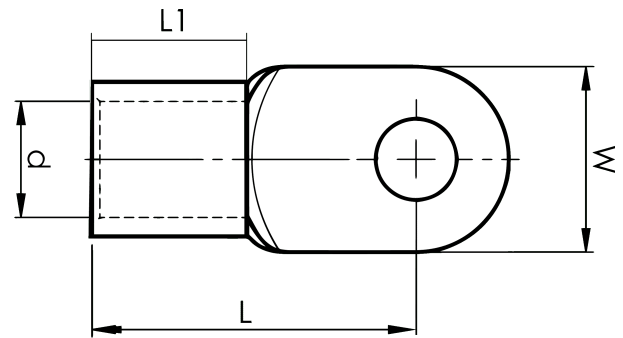


DIN 46234 sheet metal terminals 10 - 185 mm<sup>2</sup>

# B120-16R

- material: 99.9% Cu, tin plated (Cu/Sn)

Sheet metal terminal for 120 mm<sup>2</sup> copper conductors with an M16 hole in the palm. Used with Elpress certified systems V600, V1300 or V250.



Item number: **7258-269000**

EAN: **7393487018808**

W (mm): **28**

d (mm): **16.5**

L1 (mm): **22**

L (mm): **44**

Screw: **M16**

Marking: **120**

AWG/MCM Cu: **4/0 AWG**

mm<sup>2</sup> Cu: **120**