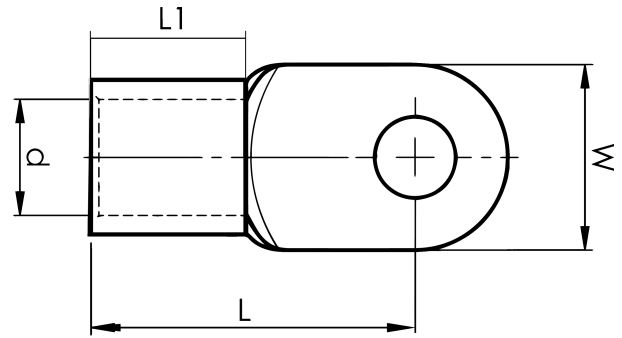


DIN 46234 sheet metal terminals 10 - 185 mm²

B185-12R

- dimensions according to DIN 46234
- material: 99.9% Cu, tin plated (Cu/Sn)

Sheet metal terminal for 185 mm² copper conductors with an M12 hole in the palm. Used with Elpress certified systems V1300 or V250.



Item number: **7258-269300**

EAN: **7393487018839**

W (mm): **36**

d (mm): **21**

L1 (mm): **28**

L (mm): **50**

t (mm) - palm thickness: **3.5**

Screw: **M12**

Marking: **185**

AWG/MCM Cu: **350 MCM**

mm² Cu: **185**