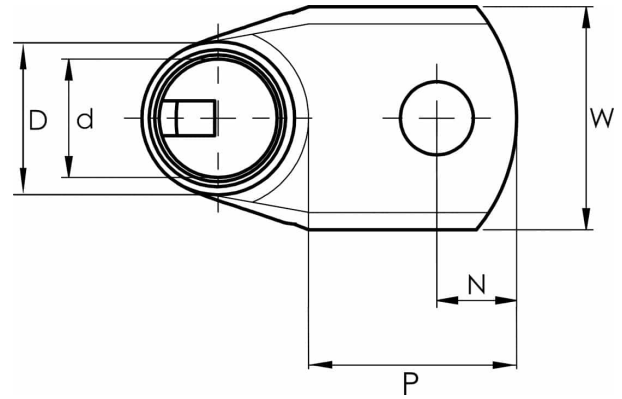


KRF angled terminals 90°, 10 - 185 mm²

KRF50-6- 90GR



**UK
CA**

Item number: **7301-115900**

EAN: **7393487045484**

A (mm): **30.5**

W (mm): **21**

N (mm): **6.5**

N1 (mm): **14.5**

P (mm): **21**

d (mm): **11**

D (mm): **14,5**

t (mm) - palm thickness: **3.3**

s (mm) - strip length: **19**

Screw: **M6**

Angle (°): **90**

Inspection hole: **Yes**

AWG/MCM Cu: **1/0 AWG**

mm² Cu: **50**