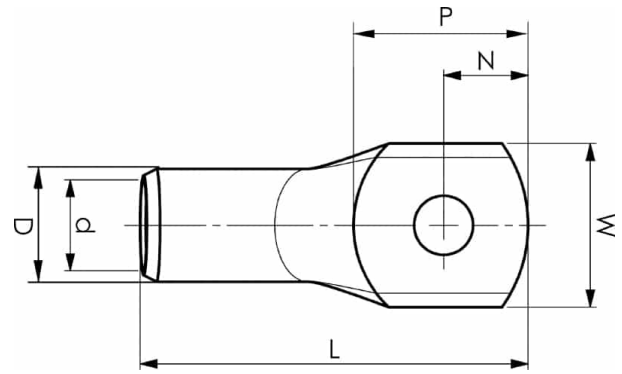


KRF tube terminals 16 - 800 mm²

KRF35-14



Item number: **7301-509000**

EAN: **7393487041370**

W (mm): **25**

N (mm): **15**

N1 (mm): **16**

P (mm): **31**

d (mm): **9**

D (mm): **13**

L (mm): **57**

t (mm) - palm thickness: **2.9**

s (mm) - strip length: **16**

Screw: **M14**

Inspection hole: **Yes**

AWG/MCM Cu: **2 AWG**

mm² Cu: **35**