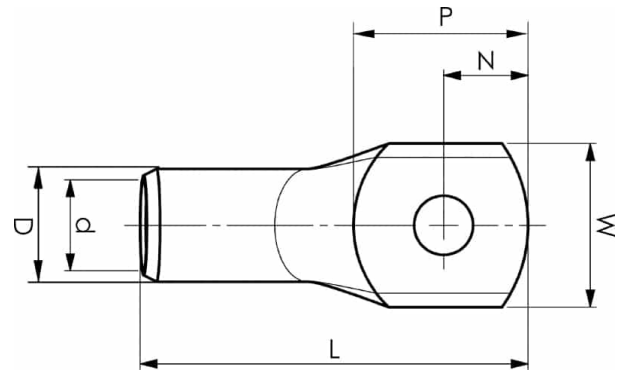


KRF tube terminals (NS)

KRF150-12NS



Item number: **7301-467400**

EAN: **7393487015371**

W (mm): **36**

N (mm): **15**

N1 (mm): **16**

P (mm): **31**

f (mm): **1**

d (mm): **19**

D (mm): **25**

L (mm): **80**

t (mm) - palm thickness: **6**

s (mm) - strip length: **32**

Screw: **M12**

AWG/MCM Cu: **300 MCM**

mm² Cu: **150**