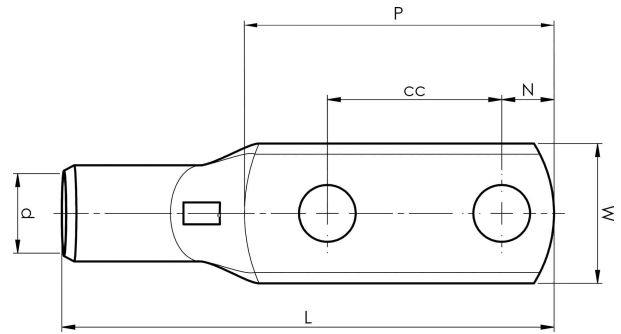


KRF tube terminals with two holes

# KRF300A- 12X2-44,5



Item number: **7301-512600**

EAN: **7393487044357**

W (mm): **46**

N (mm): **12**

N1 (mm): **20.5**

P (mm): **77**

cc (mm): **44.5**

d (mm): **24.5**

D (mm): **31,5**

L (mm): **136**

t (mm) - palm thickness: **6.8**

s (mm) - strip length: **40**

Screw: **M12x2**

Inspection hole: **Yes**

AWG/MCM Cu: **550 MCM**

mm<sup>2</sup> Cu: **300**