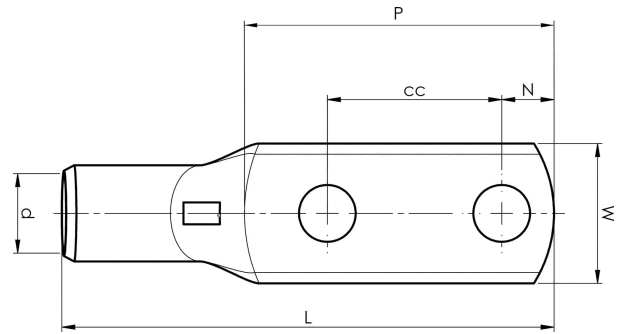


KRF tube terminals with two holes

# KRF400A- 12X2-40



- Material: Cu 99.95%, tin plated Cu/Sn.
- Inspection hole.
- For stranded (class 2) and multi-stranded (class 5) Cu conductors, for multi-stranded Cu conductors contact crimping using the Dual system is recommended.
- UL-approved, DNV approved.

## Example of marking KRF: 17 (neck) Elpress logotype 70 10F (palm)

17 = Die no. 70 = mm<sup>2</sup> 10 = palm hole for M10 F = type KRF for stranded and flexible conductors. 2 hole terminal for multi stranded (class 5) and stranded (class 2) Cu-conductors (acc. to IEC 60228), 400 mm<sup>2</sup>, with two M12 holes in the palm. Used with Elpress certified systems V1300 or V250.



Item number: **7301-241000**  
EAN: **7393487063044**

W (mm): **56**  
N (mm): **12**  
N1 (mm): **23**  
P (mm): **75**  
cc (mm): **40**  
f (mm): **2**  
d (mm): **30**  
D (mm): **38**  
L (mm): **145**  
t (mm) - palm thickness: **7.8**  
s (mm) - strip length: **52**

Screw: **M12x2**  
Inspection hole: **Yes**

AWG/MCM Cu: **700 MCM**  
mm<sup>2</sup> Cu: **400**

**ELPRESS**