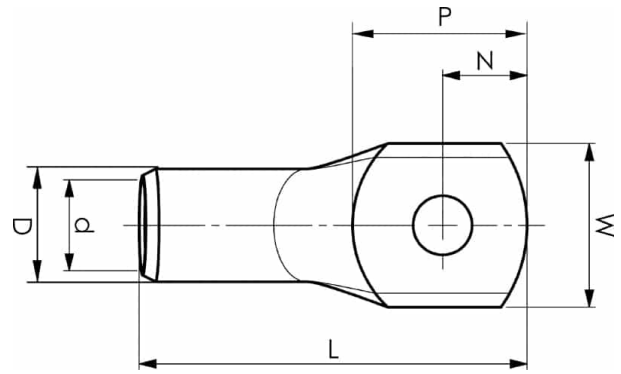


KRT tube terminals 10 - 500 mm²

KRT16-8

- Material: Cu 99.95%, tin plated Cu/Sn.
- Inspection hole.
- For stranded (class 2) Cu conductors.



Example of marking KRT: 16 (neck) Elpress logotype 70 10 (palm)

16 = Die No. 70 = mm² 10 = palm hole for M10

Tube terminal type KRT for stranded (class 2) Cu
conductors, 16 mm², with an M8 hole in the palm.

Used with Elpress certified systems V600, V1300 or
V250.



**UK
CA**

Item number: **7301-275800**

EAN: **7393487007437**

W (mm): **15**

N (mm): **8**

N1 (mm): **11**

P (mm): **19**

d (mm): **5.5**

D (mm): **8,5**

L (mm): **39**

t (mm) - palm thickness: **2.4**

s (mm) - strip length: **15**

Screw: **M8**

Inspection hole: **Yes**

AWG/MCM Cu: **6 AWG**

mm² Cu: **16**

ELPRESS