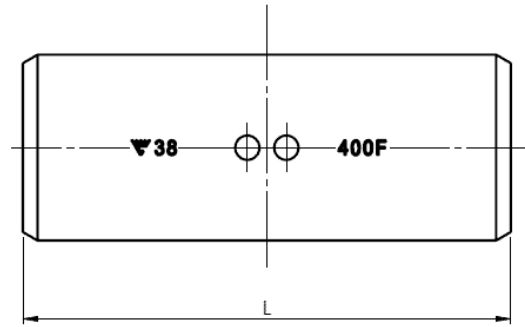


KS/KSF through connectors 0.75 - 800 mm²

KSF400A

- Material: Cu 99.95%, tin plated Cu/Sn.
- Inspection hole and int. cable stop.
- For stranded (class 2) and multi-stranded (class 5) Cu conductors, for multi-stranded Cu conductors contact crimping using the Dual system is recommended
- UL-approved, DNV approved.



Examples of marking: 20 95F (Elpress logotype is included on the marking.)

20 = Die No. 95 = mm² F = type KSF for stranded and flexible conductors 111 = screen mm²

Uninsulated through connector for multi-stranded (class 5) and stranded (class 2) Cu conductors, 400 mm². Used with Elpress certified systems V1300, V250.



**UK
CA**

Item number: **7303-231300**

EAN: **7393487030169**

d (mm): **30**

D (mm): **38**

L (mm): **100**

s (mm) - strip length: **50**

AWG/MCM Cu: **700 MCM**

mm² Cu: **400**

ELPRESS