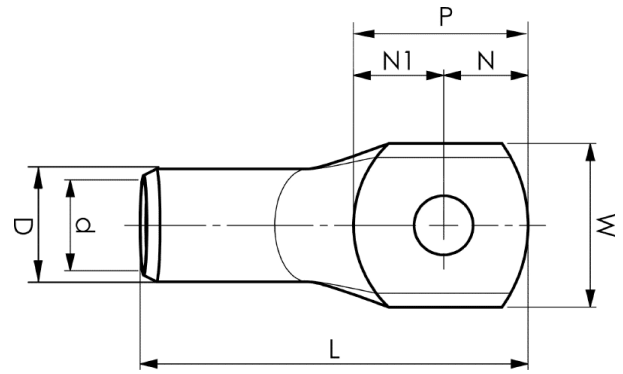


Tube terminals 0.75 - 10 mm²

KR4-3



Item number: **7301-456500**

EAN: **7393487089754**

W (mm): **8.5**

N (mm): **4.2**

N1 (mm): **5.8**

P (mm): **10**

d (mm): **3**

D (mm): **5**

L (mm): **21**

t (mm) - palm thickness: **1.5**

s (mm) - strip length: **8.5**

Screw: **M3**

Inspection hole: **Yes**

AWG/MCM Cu: **12 AWG**

mm² Cu: **4**