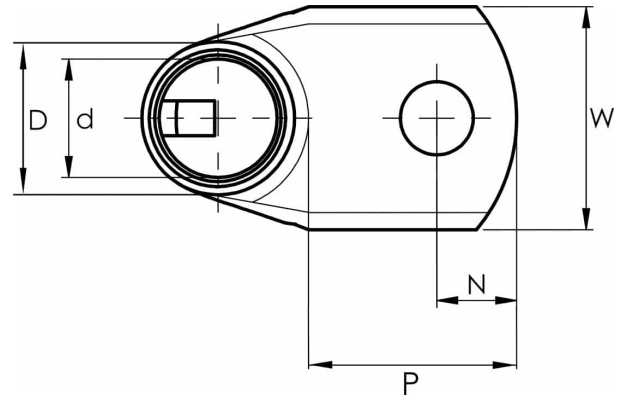


KRF angled terminals 90°, 10 - 185 mm<sup>2</sup>

# KR10-10- 90GR



Item number: **7301-114400**

EAN: **7393487016323**

A (mm): **15**

W (mm): **16**

N (mm): **11.5**

N1 (mm): **13.5**

d (mm): **5**

D (mm): **8**

t (mm) - palm thickness: **2**

s (mm) - strip length: **11**

Screw: **M10**

Angle (°): **90**

Inspection hole: **Yes**

AWG/MCM Cu: **8 AWG**

mm<sup>2</sup> Cu: **10**