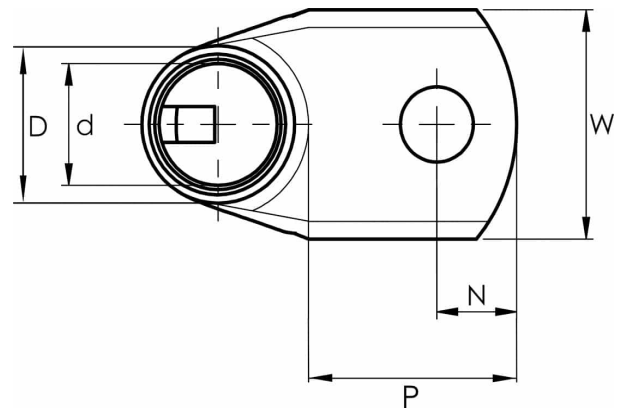


KRF angled terminals 90°, 10 - 185 mm<sup>2</sup>

# KRF120-8- 90GR-SB

- Material: Cu 99.95%, tin plated Cu/Sn.
- Inspection hole.
- For stranded (class 2) and multi-stranded (class 5) Cu conductors, for multi-stranded Cu conductors contact crimping using the Dual system is recommended.
- UL-approved, DNV approved.



## Example of marking KRF: 17 (neck) Elpress logo 70 10F (palm)

17 = Die No. 70 = mm<sup>2</sup> 10 = palm hole for M10 F = type KRF for stranded and flexible conductors.

Angled tube terminal 90° for multi-stranded (class 5) and stranded (class 2) Cu conductors (acc. to IEC 60228), 120 mm<sup>2</sup>, with an M8 hole in the palm.

Used with Elpress certified systems 250. SB stands for short barrel.



Item number: **7301-117100**

EAN: **7393487089709**

A (mm): **34.5**

W (mm): **32**

N (mm): **8.5**

N1 (mm): **17.5**

P (mm): **26**

d (mm): **17**

D (mm): **22**

t (mm) - palm thickness: **4.9**

s (mm) - strip length: **27**

Screw: **M8**

Angle (°): **90**

Inspection hole: **Yes**

AWG/MCM Cu: **4/0 AWG**

mm<sup>2</sup> Cu: **120**

**ELPRESS**