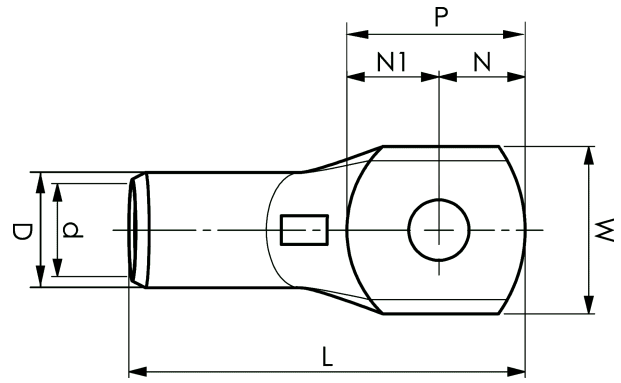


KRF35-8

- Material: Cu 99.95%, tin plated Cu/Sn.
- With inspection holes.
- For stranded (class 2) and multi-stranded (class 5) Cu conductors, for multi-stranded Cu conductors contact crimping using the Dual system is recommended.
- UL-approved, DNV approved.



Example of marking KRF: 17 (neck) Elpress logotype 70 10F (palm)

17 = Die No. 70 = mm² 10 = palm hole for M10 F = type KRF for stranded and flexible conductors. Tube terminal for multi-stranded (class 5) and stranded (class 2) 35 mm² Cu-conductors (acc. to IEC 60228) with an M8 hole in the palm. Used with Elpress certified systems V600, V1300 or V250.



Item number: **7301-013200**
EAN: **7393487006027**

W (mm): **18**
N (mm): **10**
N1 (mm): **11**
P (mm): **21**
f (mm): **1.5**
d (mm): **9**
D (mm): **13**
L (mm): **47**
t (mm) - palm thickness: **3.9**
s (mm) - strip length: **16**

Screw: **M8**
Inspection hole: **Yes**

AWG/MCM Cu: **2 AWG**
mm² Cu: **35**