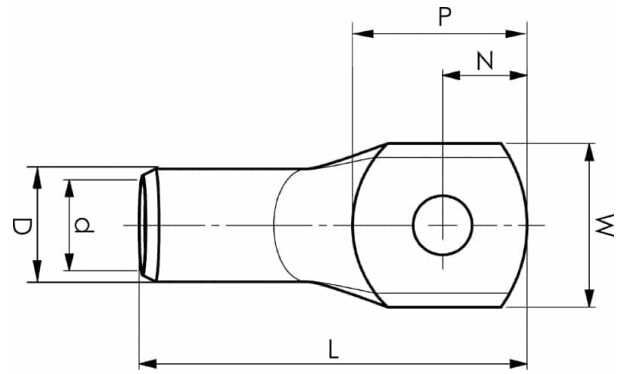


KRF tube terminals (NS)

# KRF95-12NS



Item number: **7301-467200**

EAN: **7393487015357**

W (mm): **29**

N (mm): **15**

N1 (mm): **16**

P (mm): **31**

f (mm): **1**

d (mm): **15**

D (mm): **20**

L (mm): **69**

t (mm) - palm thickness: **4.9**

s (mm) - strip length: **25**

Screw: **M12**

AWG/MCM Cu: **3/0 AWG**

mm<sup>2</sup> Cu: **95**