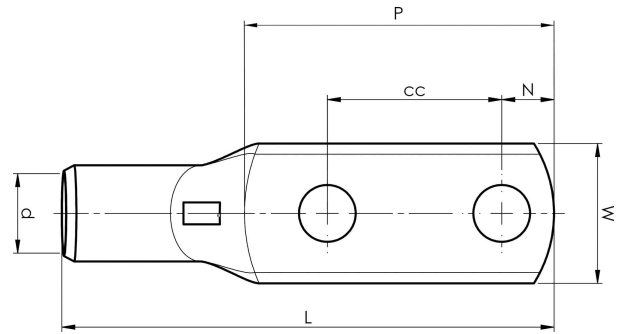


KRF tube terminals with two holes

KRF185- 12X2-33



Item number: **7301-460200**

EAN: **7393487076518**

W (mm): **39**

N (mm): **13**

N1 (mm): **16**

P (mm): **62**

cc (mm): **33**

d (mm): **21**

D (mm): **27**

L (mm): **116**

t (mm) - palm thickness: **5.8**

s (mm) - strip length: **37**

Screw: **M12x2**

Inspection hole: **Yes**

AWG/MCM Cu: **350 MCM**

mm² Cu: **185**