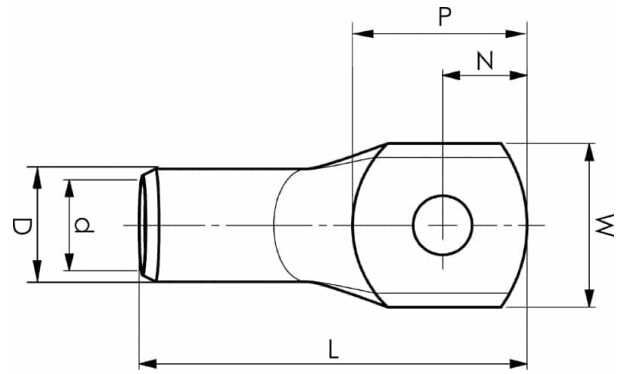


Tube terminals 0.75 - 10 mm²

KR10-4



Item number: **7301-506700**

EAN: **7393487040328**

W (mm): **11.5**

N (mm): **6**

N1 (mm): **8**

P (mm): **14**

d (mm): **5**

D (mm): **8**

L (mm): **29**

t (mm) - palm thickness: **2.9**

s (mm) - strip length: **11**

Screw: **M4**

Inspection hole: **Yes**

AWG/MCM Cu: **8 AWG**

mm² Cu: **10**