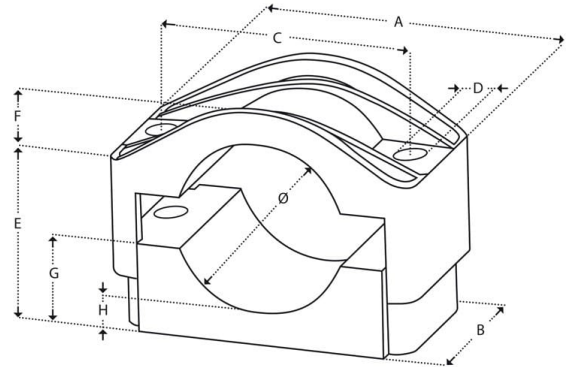


SE26-38

- Manufactured from polyamide (PA), glass fibre reinforced.
- Resistant to oils, UV, ozone, salt, moisture, acids and even nuclear radiation.
- UL94 self-extinguishing, Halogen-free.
- Temperature range from -40°C to 120°C.
- Mechanical resistance to short-circuits 12.000 N.



Item number: **8010-042900**

EAN: **7393487042469**

B (mm): **60**

A (mm): **92**

H (mm): **7**

D (mm): **12**

C (mm): **60**

F (mm): **7**

G (mm): **18**

E (mm): **33-49**

Cable \varnothing : **26 - 38**