

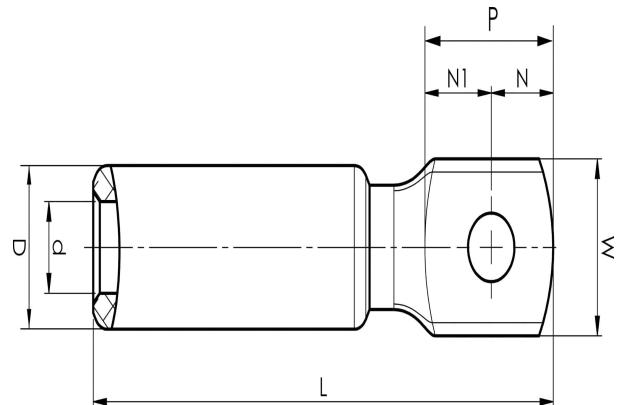
Aluminium terminals 16 - 1200 mm²

AK16-8

- Used for connecting Al conductors to Al busbar.
- Two crimps are needed.

Al terminal for stranded Al cable 16 mm², or for solid Al cable 25 (16) mm² with an M8 hole in the palm.

Used with Elpress certified systems V1300 or V250.



Item number: **7311-400500**

EAN: **7393487008717**

W (mm): **16**

N (mm): **8.5**

N1 (mm): **9**

P (mm): **17.5**

d (mm): **5.9**

D (mm): **13**

L (mm): **61**

t (mm) - palm thickness: **5**

s (mm) - strip length: **29**

Screw: **M8**

AWG/MCM Stranded Al: **6 AWG**

AWG/MCM Solid Al: **4 AWG**

mm² Stranded Al: **16**

mm² Solid Al: **25**