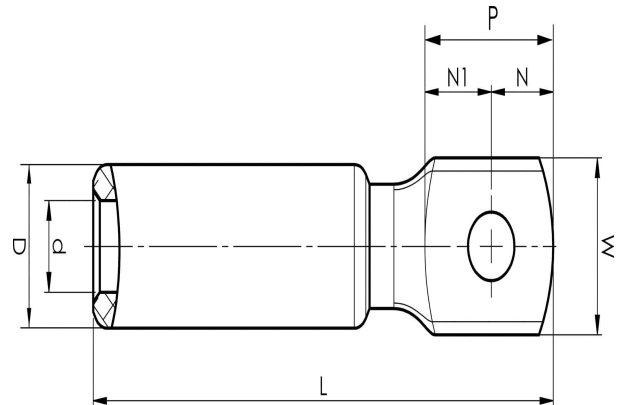


Aluminium terminals 16 - 1200 mm<sup>2</sup>

# AK95-10

- Used for connecting Al conductors to Al busbar.
- Two crimps are needed.

Al terminal for stranded Al cable 95 mm<sup>2</sup>, or for solid Al cable 120 mm<sup>2</sup> with an M10 hole in the palm. Used with Elpress certified systems V1300 or V250.



Item number: **7311-402200**  
EAN: **7393487008816**

W (mm): **27**  
N (mm): **14**  
N1 (mm): **15**  
P (mm): **29**  
d (mm): **12.5**  
D (mm): **25**  
L (mm): **104**  
t (mm) - palm thickness: **10.5**  
s (mm) - strip length: **60**

Screw: **M10**

AWG/MCM Stranded Al: **3/0 AWG**  
AWG/MCM Solid Al: **4/0 AWG**  
mm<sup>2</sup> Stranded Al: **95**  
mm<sup>2</sup> Solid Al: **120**