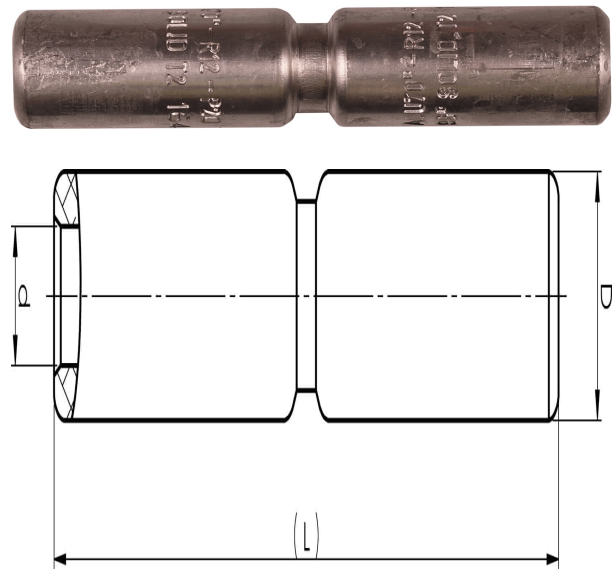


Aluminium through connectors with partition 16 -  
1200 mm<sup>2</sup>

# AS70

- Used primarily for splicing two Al conductors with the same area.
- Two plus two crimps are needed.
- With partition.

Al through connector with partition for stranded Al cable 70 mm<sup>2</sup>, or for solid Al cable 95 mm<sup>2</sup>. Used with Elpress certified systems V1300, V250.



Item number: **7313-400600**

EAN: **7393487009073**

d (mm): **11.3**

D (mm): **20**

L (mm): **100**

s (mm) - strip length: **42.5**

AWG/MCM Stranded Al: **2/0 AWG**

AWG/MCM Solid Al: **30**

mm<sup>2</sup> Stranded Al: **70**

mm<sup>2</sup> Solid Al: **95**