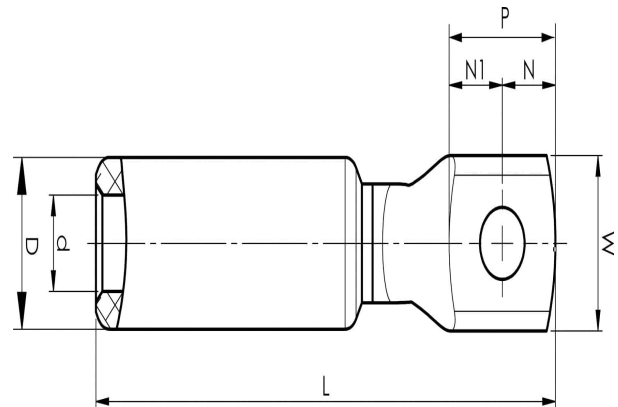


Aluminium-copper terminals 16 - 1200 mm<sup>2</sup>

# AKK400-12

- Used for connection of Al conductors for apparatus outlets and busbars of Cu.
- Two crimps are needed.

AlCu terminal for stranded Al cable 400 mm<sup>2</sup>, with an M12 hole in the palm. Used with Elpress certified system V250.



Item number: **7331-404700**

EAN: **7393487012431**

W (mm): **37**

N (mm): **18.5**

N1 (mm): **18.5**

P (mm): **37**

d (mm): **25**

D (mm): **40**

L (mm): **155**

t (mm) - palm thickness: **6.5**

s (mm) - strip length: **83**

Screw: **M12**

AWG/MCM Stranded Al: **700 MCM**

mm<sup>2</sup> Stranded Al: **400**