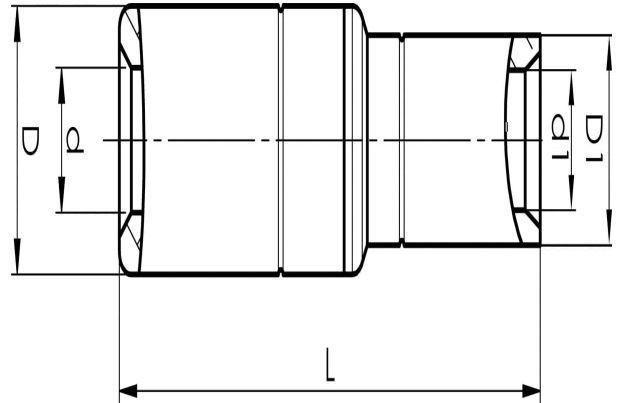
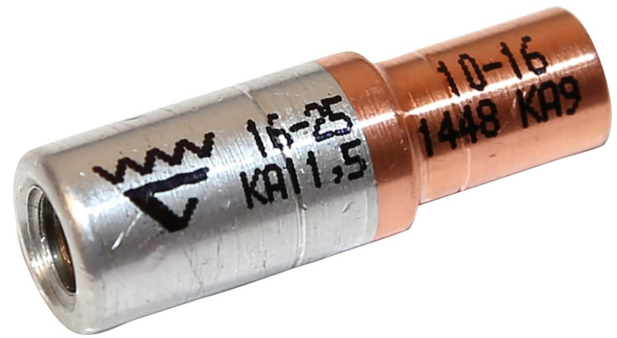


Aluminium-copper through connectors 16 - 500
mm²

AKS1625- 1016

- Joint from Al conductor to Cu conductor.
- Two crimps for Al, normally one for Cu.

Al Cu through connector for transition from stranded 16-25 mm² Al-conductors to Cu 10-16 mm² solid, stranded or multi-stranded conductors or screen. When crimping the Cu section, place the dies between the mark on the sleeve and the edge of the Cu section. Used with Elpress certified system V600.



Item number: **7333-413000**

EAN: **7393487049253**

s1 (mm): **17**

d (mm): **6.2**

D (mm): **11,5**

L (mm): **36.5**

d1 (mm): **6**

D1 (mm): **9**

s (mm) - strip length: **19**

AWG/MCM Stranded Al: **6 - 4 AWG**

AWG/MCM Cu: **8 - 6 AWG**

mm² Stranded Al: **16-25**

mm² Cu: **10-16**

Winding (mm²): **Al 16-30**

ELPRESS