

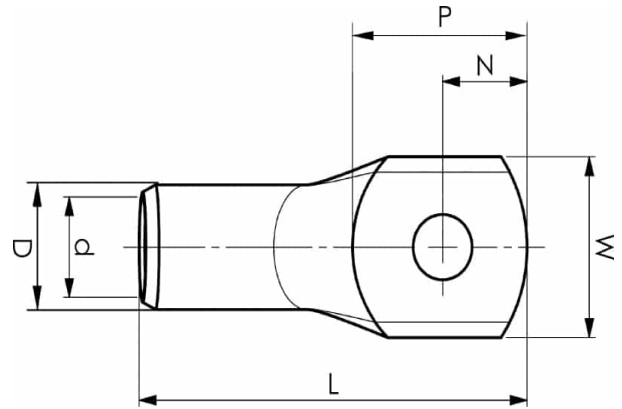
KRD tube terminals 16 - 1000 mm²

KRD35-6

- Material: Cu 99.95%, tin plated Cu/Sn.
- Inspection hole.
- For stranded (class 2) Cu conductors.

Example of marking KRD: 14 (neck) Elpress logotype 70 10 (palm)

14 = Die No. 70 = mm² 10 = palm hole for M10
Tube terminal type KRD for stranded (class 2) Cu
conductors, 35 mm², with an M6 hole in the palm.
Used with Elpress certified systems V600, V1300 or
V250.



Item number: **7301-100800**

EAN: **7393487006706**

W (mm): **16**

N (mm): **8**

N1 (mm): **10**

P (mm): **18**

f (mm): **1**

d (mm): **8**

D (mm): **11**

L (mm): **39**

t (mm) - palm thickness: **2.9**

s (mm) - strip length: **13**

Screw: **M6**

Inspection hole: **Yes**

AWG/MCM Cu: **2 AWG**

mm² Cu: **35**

ELPRESS