

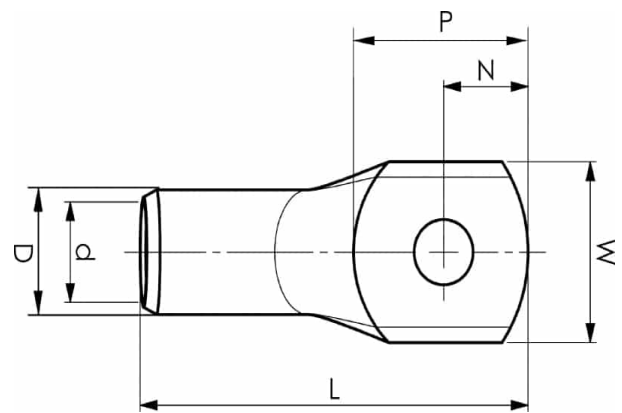
# KRF150-16

- Material: Cu 99.95%, tin plated Cu/Sn.
- With inspection holes.
- For stranded (class 2) and multi-stranded (class 5) Cu conductors, for multi-stranded Cu conductors contact crimping using the Dual system is recommended.
- UL-approved, DNV approved.



## Example of marking KRF: 17 (neck) Elpress logotype 70 10F (palm)

17 = Die No. 70 = mm<sup>2</sup> 10 = palm hole for M10 F = type KRF for stranded and flexible conductors. Tube terminal for multi stranded (class 5) and stranded (class 2) Cu-conductors (acc. to IEC 60228), 150 mm<sup>2</sup>, with an M16 hole in the palm. Used with Elpress certified systems V600, V1300 or V250.



Item number: **7301-015100**  
EAN: **7393487006218**

W (mm): **36**  
N (mm): **15**  
N1 (mm): **16**  
P (mm): **31**  
f (mm): **1**  
d (mm): **19**  
D (mm): **25**  
L (mm): **80**  
t (mm) - palm thickness: **5.9**  
s (mm) - strip length: **32**

Screw: **M16**  
Inspection hole: **Yes**

AWG/MCM Cu: **300 MCM**  
mm<sup>2</sup> Cu: **150**