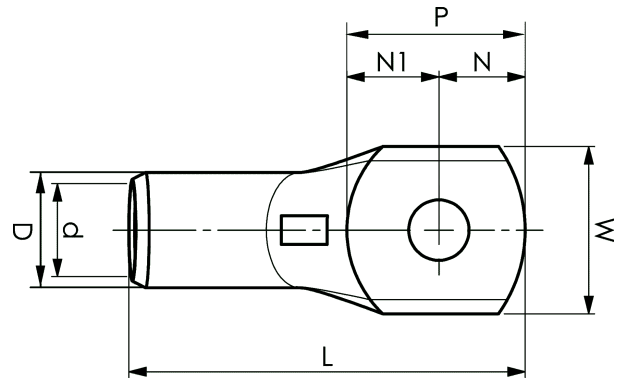


# KRF35-8

- Material: Cu 99.95%, tin plated Cu/Sn.
- With inspection holes.
- For stranded (class 2) and multi-stranded (class 5) Cu conductors, for multi-stranded Cu conductors contact crimping using the Dual system is recommended.
- UL-approved, DNV approved.



## Example of marking KRF: 17 (neck) Elpress logotype 70 10F (palm)

17 = Die No. 70 = mm<sup>2</sup> 10 = palm hole for M10 F = type KRF for stranded and flexible conductors. Tube terminal for multi-stranded (class 5) and stranded (class 2) 35 mm<sup>2</sup> Cu-conductors (acc. to IEC 60228) with an M8 hole in the palm. Used with Elpress certified systems V600, V1300 or V250.



**UK  
CA**

Item number: **7301-013200**

EAN: **7393487006027**

W (mm): **18**

N (mm): **10**

N1 (mm): **11**

P (mm): **21**

f (mm): **1.5**

d (mm): **9**

D (mm): **13**

L (mm): **47**

t (mm) - palm thickness: **3.9**

s (mm) - strip length: **16**

Screw: **M8**

Inspection hole: **Yes**

AWG/MCM Cu: **2 AWG**

mm<sup>2</sup> Cu: **35**