

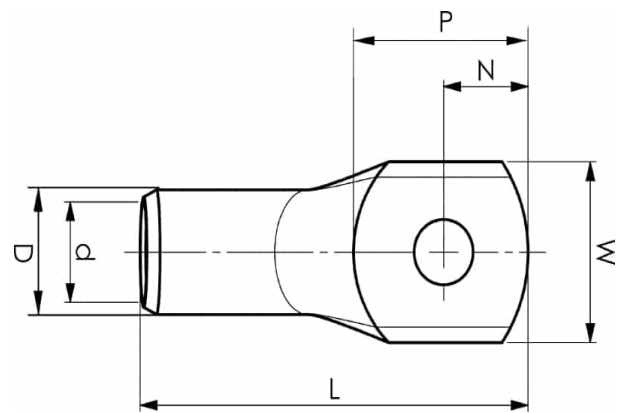
KRF50-10

- Material: Cu 99.95%, tin plated Cu/Sn.
- With inspection holes.
- For stranded (class 2) and multi-stranded (class 5) Cu conductors, for multi-stranded Cu conductors contact crimping using the Dual system is recommended.
- UL-approved, DNV approved.



Example of marking KRF: 17 (neck) Elpress logotype 70 10F (palm)

17 = Die No. 70 = mm² 10 = palm hole for M10 F = type KRF for stranded and flexible conductors. Tube terminal for multi-stranded (class 5) and stranded wire (class 2) Cu conductors (acc. to IEC 60228), 50 mm², with an M10 hole in the palm. Used with Elpress certified systems V600, V1300 or V250.



Item number: **7301-013700**
EAN: **7393487006072**

W (mm): **21**
N (mm): **11**
N1 (mm): **11**
P (mm): **22**
f (mm): **1.25**
d (mm): **11**
D (mm): **14,5**
L (mm): **50**
t (mm) - palm thickness: **3.4**
s (mm) - strip length: **19**

Screw: **M10**
Inspection hole: **Yes**

AWG/MCM Cu: **1/0 AWG**
mm² Cu: **50**