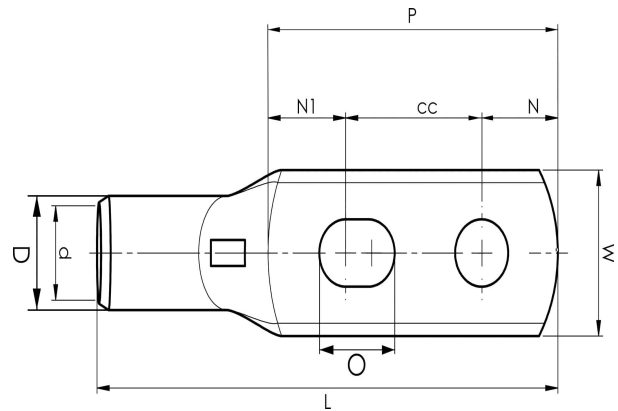


KRF tube terminals with two holes

KRF150- 10X2-24-26

- Material: Cu 99.95%, tin plated Cu/Sn.
- Inspection hole.
- For stranded (class 2) and multi-stranded (class 5) Cu conductors, for multi-stranded Cu conductors contact crimping using the Dual system is recommended.
- UL-approved.



Example of marking KRF: 17 (neck) Elpress logotype 70 10F (palm)

17 = Die No. 70 = mm² 10 = palm hole for M10 F = type KRF for stranded and flexible conductors. 2 holed tube terminal for multi-stranded (class 5) and stranded (class 2) Cu-conductors (acc. to IEC 60228), 150 mm², with two M10 holes in the palm. Used with Elpress certified systems V600, V1300 or V250.



Item number: **7301-453500**
EAN: **7393487011021**

W (mm): **36**
N (mm): **11**
N1 (mm): **21**
P (mm): **57**
cc (mm): **25**
O (mm): **12.5**
d (mm): **19**
D (mm): **25**
L (mm): **106**
t (mm) - palm thickness: **5.9**
s (mm) - strip length: **32**

Screw: **M10x2**
Inspection hole: **Yes**

AWG/MCM Cu: **300 MCM**
mm² Cu: **150**

ELPRESS