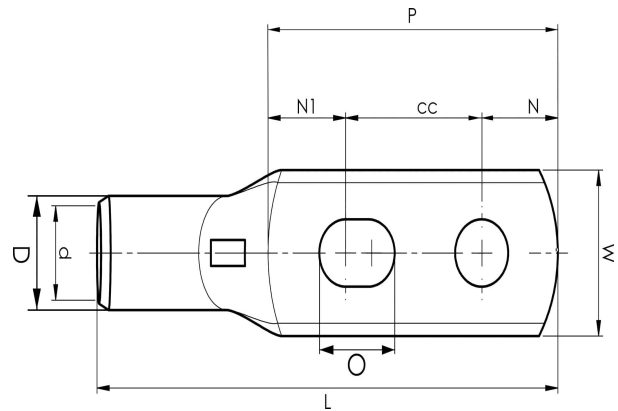


KRF tube terminals with two holes

# KRF185- 10X2-24-26

- Material: Cu 99.95%, tin plated Cu/Sn.
- Inspection hole.
- For stranded (class 2) and multi-stranded (class 5) Cu conductors, for multi-stranded Cu conductors contact crimping using the Dual system is recommended.
- UL-approved.



## Example of marking KRF: 17 (neck) Elpress logotype 70 10F (palm)

17 = Die No. 70 = mm<sup>2</sup> 10 = palm hole for M10 F =  
type KRF for stranded and flexible conductors.  
2 holed tube terminal for multi-stranded (class 5)  
and stranded (class 2) Cu-conductors (acc. to IEC  
60228), 185 mm<sup>2</sup>, with two M10 holes in the palm.  
Used with Elpress certified systems V1300 or V250.



Item number: **7301-495700**  
EAN: **7393487060180**

W (mm): **39**  
N (mm): **11**  
N1 (mm): **21**  
P (mm): **57**  
cc (mm): **25**  
O (mm): **12.5**  
f (mm): **1**  
d (mm): **21**  
D (mm): **27**  
L (mm): **111**  
t (mm) - palm thickness: **5.9**  
s (mm) - strip length: **37**

Screw: **M10x2**  
Inspection hole: **Yes**

AWG/MCM Cu: **350 MCM**  
mm<sup>2</sup> Cu: **185**

**ELPRESS**