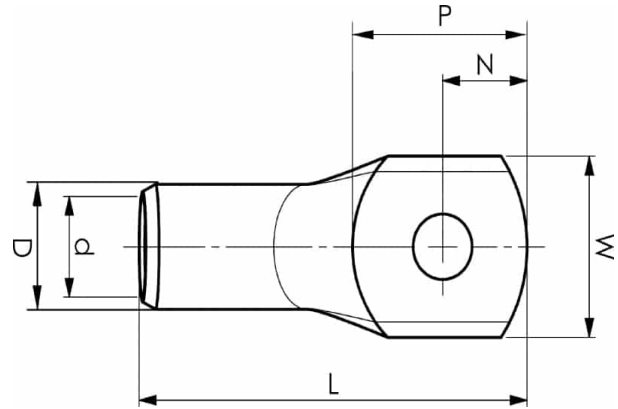


Tube terminals 0.75 - 10 mm<sup>2</sup>

# KR0,75-3

- Material: Cu 99.95%, tin plated Cu/Sn.
- For multi-stranded (class 5) and stranded (class 2) Cu conductors.
- Without inspection hole.



## Examples of palm marking KR: 10-10

10 = mm<sup>2</sup> 10 = Palm hole for M10

Tube terminal for multi-stranded (class 5) and stranded (class 2) Cu-conductors (acc. to IEC 60228), 0.75 mm<sup>2</sup>, with an M3 hole in the palm. Used with certified tool DKB0325, DKB0760.



Item number: **7301-010000**

EAN: **7393487005723**

W (mm): **6**

N (mm): **3.2**

N1 (mm): **3.8**

P (mm): **7**

d (mm): **1.3**

D (mm): **2,8**

L (mm): **17**

t (mm) - palm thickness: **0.85**

s (mm) - strip length: **7.5**

Screw: **M3**

AWG/MCM Cu: **18 AWG**

mm<sup>2</sup> Cu: **0,75**