

Tube terminals 0.75 - 10 mm²

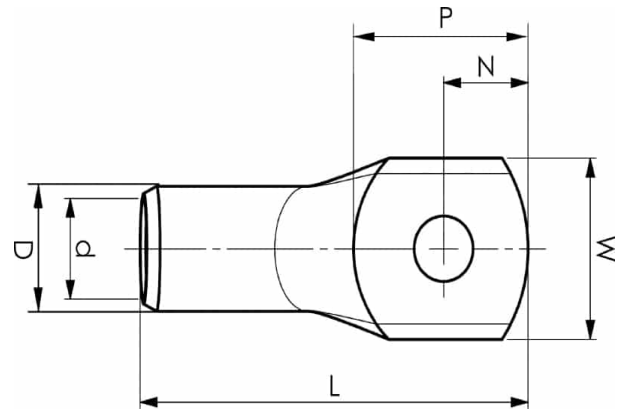
KR1,5-5

- Material: Cu 99.95%, tin plated Cu/Sn.
- For multi-stranded (class 5) and stranded (class 2) Cu conductors.
- UL approved.
- Without inspection hole.

Examples of palm marking KR: 10-10

10 = mm² 10 = Palm hole for M10

Tube terminal for multi-stranded (class 5) and stranded (class 2) Cu-conductors (acc. to IEC 60228), 1.5 mm², with an M5 hole in the palm. Used with certified tool DKB0325, DKB0760.



Item number: **7301-010400**

EAN: **7393487005761**

W (mm): **7.5**

N (mm): **4.8**

N1 (mm): **4.7**

P (mm): **9.5**

d (mm): **1.8**

D (mm): **3.3**

L (mm): **18**

t (mm) - palm thickness: **0.85**

s (mm) - strip length: **7.5**

Screw: **M5**

AWG/MCM Cu: **16 AWG**

mm² Cu: **1,5**