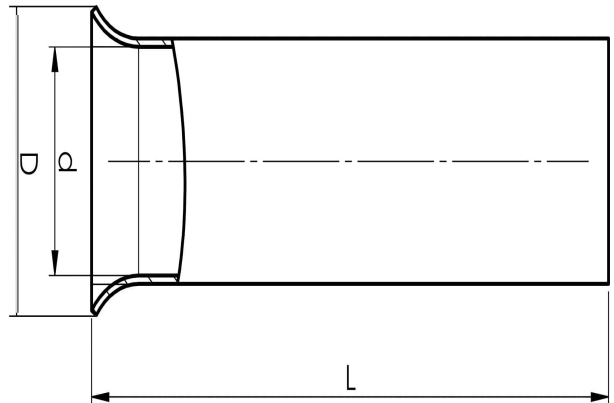
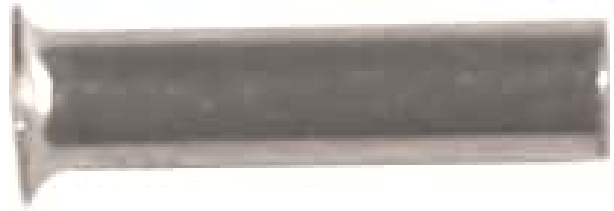


Uninsulated end terminals 0.25 - 50 mm²

B0,5-10ET

- Material: Cu 99.95%, tin plated Cu/Sn, dimensions according to DIN46228, CSA approved.

Uninsulated end terminal, 0,50 mm². Used with certified tool PEB0110T.



Item number: **7304-004300**
EAN: **7393487013315**

d (mm): **1**
D (mm): **2,1**
L (mm): **10**
s (mm) - strip length: **10**

Working temperature, Min (°C): **-40**
Working temperature, Max (°C): **40**
Material: **Cu, Cu/Sn**
Measures acc DIN46228: **Yes**

AWG/MCM Cu: **20 AWG**
mm² Cu: **0,5**