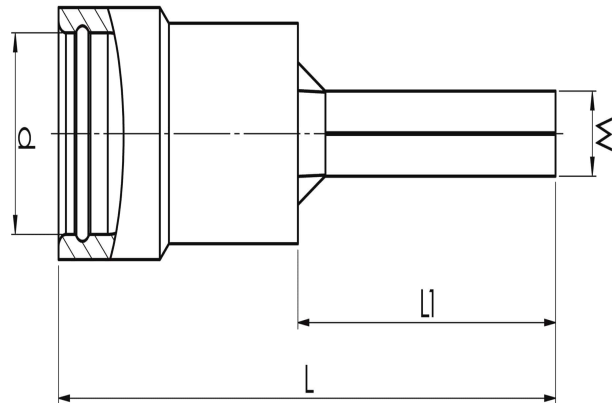


Pin terminals 0.1 - 6 mm<sup>2</sup>

# A1519SRK

- Material: Cu 99.95%, tin plated Cu/Sn, brazed neck.
- Insulation halogen-free PC, Easy-entry.

Pre-insulated pin terminal for 0.5-1.5 mm<sup>2</sup> cable.  
Used with certified tool GSA0760.



Item number: **7278-152100**  
EAN: **7393487004214**

W (mm): **1.7**  
d (mm): **4**  
L1 (mm): **8.5**  
L (mm): **18.5**  
s (mm) - strip length: **7**

Insulation material: **PC**  
Insulation colour: **Red (insulated terminals)**  
Material: **Cu, Cu/Sn**  
Easy-entry: **Yes**

AWG/MCM Cu: **20 - 16 AWG**  
mm<sup>2</sup> Cu: **0,5-1,5**