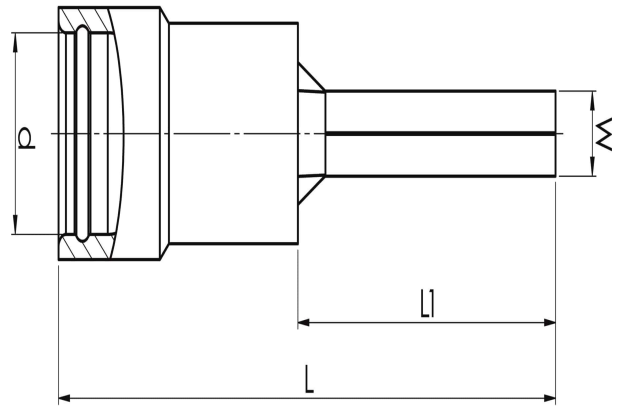


Pin terminals 0.1 - 6 mm²

A4630SR

- Material: Cu 99.95%, tin plated Cu/Sn, brazed neck.
- Insulation halogen-free PC, Easy-entry.

Pre-insulated pin terminal for 4-6 mm² cable. Used with certified tool GSA0760.



Item number: **7278-463000**

EAN: **7393487004740**

W (mm): **2.7**

d (mm): **6.4**

L1 (mm): **14**

L (mm): **27**

s (mm) - strip length: **9**

Insulation material: **PC**

Insulation colour: **Yellow (insulated terminals)**

Material: **Cu, Cu/Sn**

Easy-entry: **Yes**

AWG/MCM Cu: **12 - 10 AWG**

mm² Cu: **4-6**