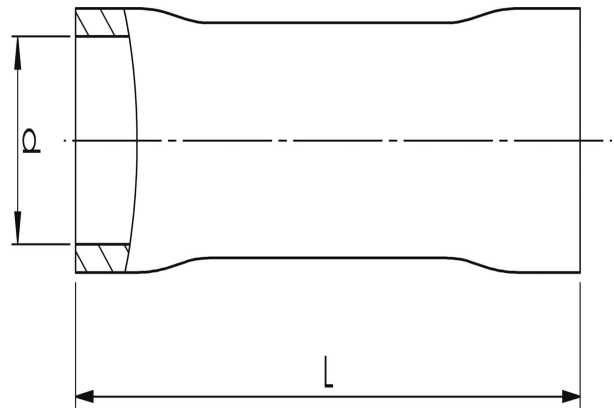
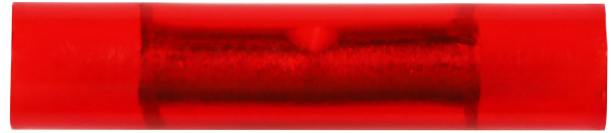


Through connectors 0.25 - 6 mm²

A1525SK

- Material: Cu 99.95%, tin plated Cu/Sn, contact sleeve of Cu pipe.
- Insulation halogen-free PC, not Easy-entry.

Pre-insulated through connector for 0.5-1.5 mm² cable. Used with certified tool GSA0760.



Item number: **7288-500200**

EAN: **7393487004818**

d (mm): **3.4**

L (mm): **24**

s (mm) - strip length: **7**

Insulation material: **PC**

AWG/MCM Cu: **20 - 16 AWG**

mm² Cu: **0,5-1,5**