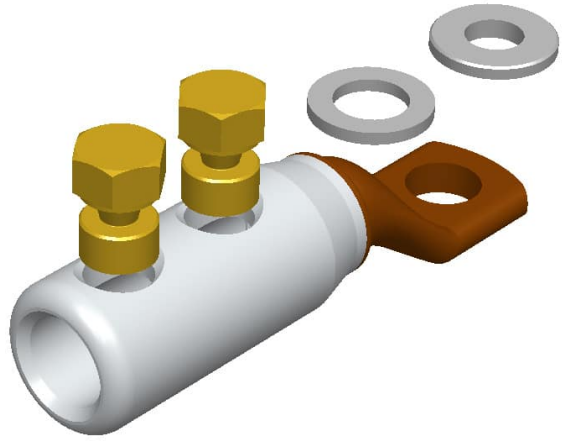


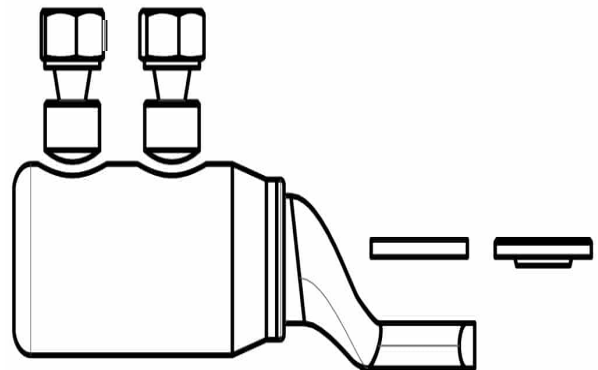
Shearbolt terminals 10 - 630 mm² (pre-assembled screw)

SL240R-12-16



- shearbolt material: brass for minimum friction
- threaded shear-off shearbolts for easy handling
- voltage range 1-36 kV
- meets the requirements of IEC standard 61238-1:2003
- the terminals are of the bimetallic type for best functionality

Shearbolt terminal 1-36 kV that is suitable for both Al and Cu class 1 and class 2 cable. Round cable 185-240 mm². Suitable for both M12 and M16, reduction washer and flat washer are included when ordering.



Item number: **7334-015500**
EAN: **7393487089495**

W (mm): **30**
N (mm): **15**
d (mm): **20**
D (mm): **33,5**
L1 (mm): **79**
L (mm): **134**
t (mm) - palm thickness: **7.9**
s (mm) - strip length: **75**

Screw: **M12, M16**
Max voltage (kV): **1-36**

Cable type Round (mm²): **185-240**

