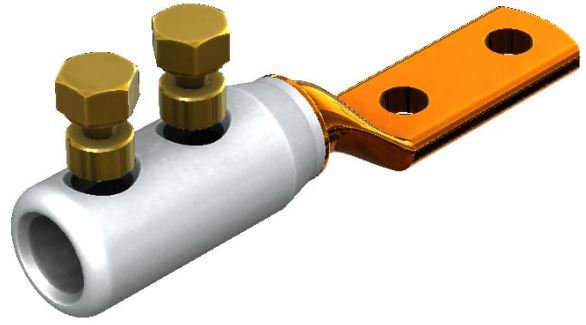


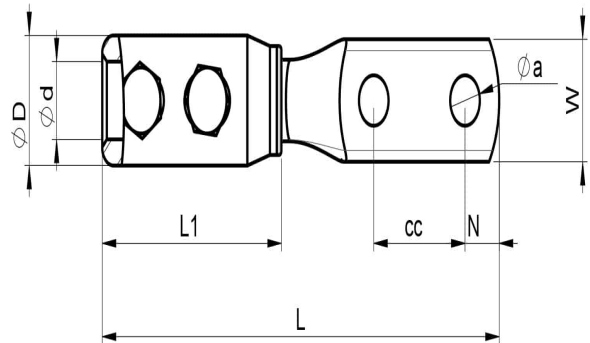
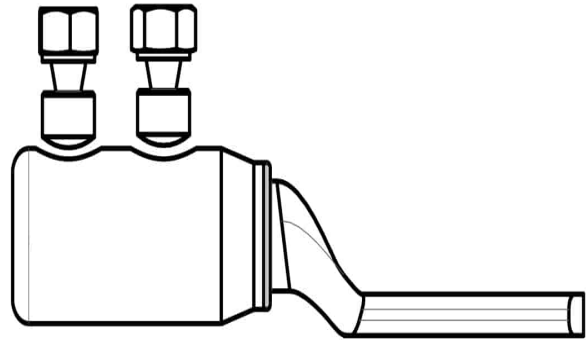
Shearbolt terminals 10 - 630 mm² (pre-assembled screw)

SL240R- 12X2-40



- shearbolt material: brass for minimum friction
- threaded shear-off shearbolts for easy handling
- voltage range 1-36 kV
- meets the requirements of IEC standard 61238-1:2003
- the terminals are of the bimetallic type for best functionality

Shearbolt terminal 1-36 kV suitable for both Al and Cu class 1 and class 2 cable, with two M12 holes in the palm. Round cable 185-240 mm².



Item number: **7334-016000**
EAN: **7393487049086**

W (mm): **31.5**

N (mm): **15**

cc (mm): **40**

d (mm): **20**

D (mm): **33,5**

L1 (mm): **79**

L (mm): **174**

L2 (mm): **70**

t (mm) - palm thickness: **7.9**

s (mm) - strip length: **75**

Screw: **M12x2**

Max voltage (kV): **1-36**

Cable type Round (mm²): **185-240**